

| MODEL # CIMR-VU | VOLTAGE THREE PHASE (VAC) | OUTPUT CURRENT (A) | | WEIGHT LBS (Kg) | HEAT LOSS (W) | | | | | |
|--------------------|---------------------------------|-----------------------|------|--------------------|---------------|------|-------|--------------|-------|-------|
| | | ND | HD | | ND (Fc=2kHz) | | | HD (Fc=8kHz) | | |
| | | | | | INT | EXT | TOT | INT | EXT | TOT |
| 2A0020BXX | 208/240 | 19.6 | 17.5 | 5.3 (2.4) | 46.3 | 98.7 | 145.0 | 43.3 | 110.5 | 153.8 |
| 4A0011BXX | 380/480 | 11.1 | 9.2 | 5.3 (2.4) | 46.0 | 81.7 | 127.7 | 41.5 | 107.2 | 148.7 |

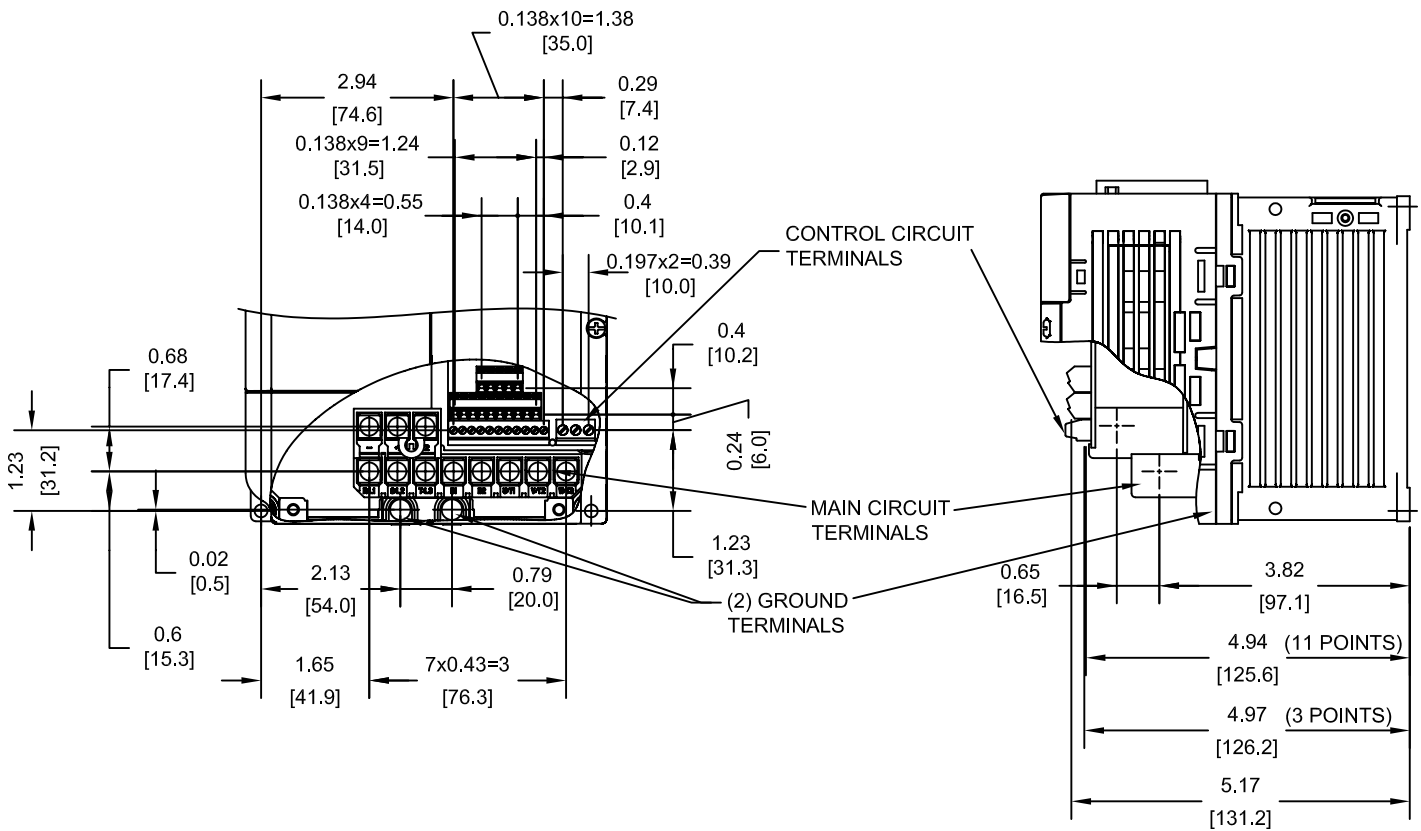
NOTE:
XX DENOTES AA-ZZ

INT=INTERNAL COMPONENTS
EXT=EXTERNAL HEATSINK
TOT=TOTAL

FOR ADDITIONAL DETAILS AND SPECIFICATIONS, CONSULT MANUAL

| | | | | | |
|--------------------------|----------------|---|--|---|----------------|
| TOLERANCES / REFERENCES: | | <p>YASKAWA The Drive for Quality™</p> <p><i>THIS DOCUMENT AND INFORMATION CONTAINED IN IT ARE CONFIDENTIAL, AND CANNOT BE COPIED OR DISCLOSED IN WHOLE OR IN PART WITHOUT THE EXPRESS WRITTEN CONSENT OF YASKAWA ELECTRIC AMERICA INC.</i></p> | DRAWN: J. MATTAS DATE 1-26-09 | TITLE: V1000 DIMENSION DRAWING FRAME SIZE 11 OPEN ENCLOSURE (IP20 RATING) 2A0020B & 4A0011B | |
| UNITS: IN [mm] | SCALE: 1: 4 | | CHECKED: J. PIOTROWSKI DATE 8-21-09 | DATE 8-24-09 | |
| | | | TECH: J. CAIRO DATE 8-28-09 | DATE 8-28-09 | |
| | | | APPROVED: T. SASADA DATE 8-28-09 | ORIGINAL DESIGN: - DATE - | |
| | | | SIZE A | REVISION R00 | PAGE 1 of 3 |
| | | | DRAWING #: DD.V1K.FR11.IP20 | | |

TERMINAL AND WIRING DETAILS (SCALE 1:3)



TERMINAL AND WIRE SPECIFICATIONS FOR
MAIN CIRCUIT AND GROUND

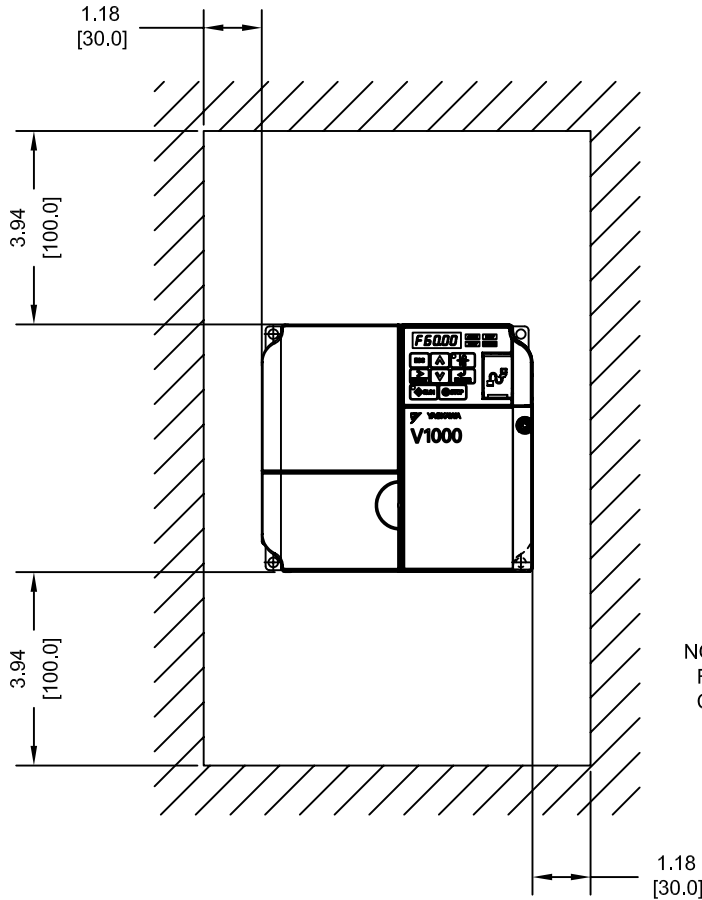
| MODEL # | TERMINAL SCREW | CLAMPING TORQUE lb.in.(N.m.) | WIRE RANGE AWG(mm ²) |
|---------|----------------|---------------------------------|-------------------------------------|
| 2A0020B | M4 | 10.6 TO 13.3 (1.2 TO 1.5) | 22-10 (0.33-5.5) |
| 4A0011B | M4 | 10.6 TO 13.3 (1.2 TO 1.5) | 22-10 (0.33-5.5) |

NOTE: RATINGS APPLY TO BOTH FACTORY AND FIELD WIRING
REFER TO APPLICABLE CODES FOR PROPER WIRE TYPE AND SIZE

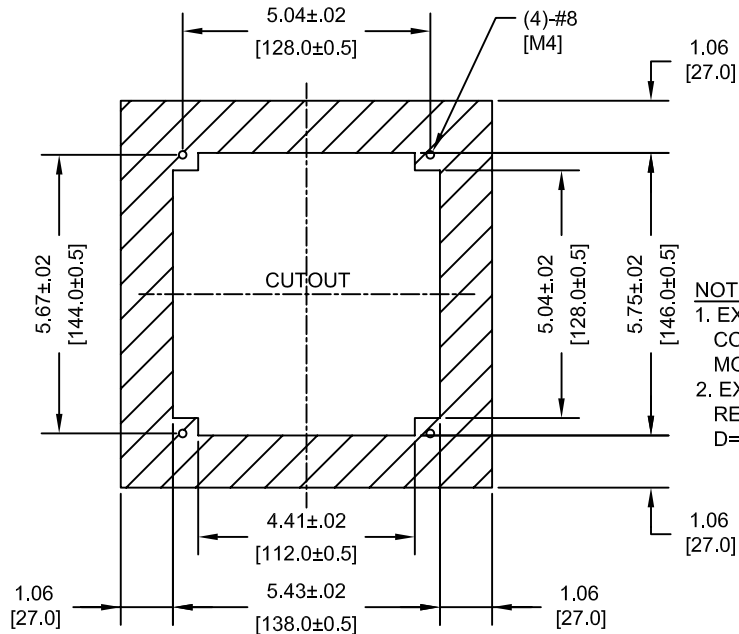
FOR ADDITIONAL DETAILS AND SPECIFICATIONS, CONSULT MANUAL

| | | | | | |
|--------------------------|--|---|--|--|---|
| TOLERANCES / REFERENCES: | | <p>THIS DOCUMENT AND INFORMATION CONTAINED IN IT ARE CONFIDENTIAL, AND CANNOT BE COPIED OR DISCLOSED IN WHOLE OR IN PART WITHOUT THE EXPRESS WRITTEN CONSENT OF YASKAWA ELECTRIC AMERICA INC.</p> | DRAWN: J. MATTAS DATE: 1-26-09 | DATE: 1-26-09 | TITLE: V1000 DIMENSION DRAWING FRAME SIZE 11 OPEN ENCLOSURE (IP20 RATING) 2A0020B & 4A0011B |
| UNITS: IN [mm] | | | CHECKED: J. PIOTROWSKI DATE: 8-21-09 | DATE: 8-21-09 | |
| SCALE: BY VIEW | | | TECH: J. CAIRO DATE: 8-24-09 | DATE: 8-24-09 | |
| | | | APPROVED: T. SASADA DATE: 8-28-09 | DATE: 8-28-09 | |
| | | ORIGINAL DESIGN: - | DATE: - | SIZE: A REVISION: R00 PAGE: 2 of 3 | DRAWING #: DD.V1K.FR11.IP20 |

MINIMUM INSTALLATION CLEARANCES (SCALE 1:4)



PANEL CUTOUT FOR EXTERNAL HEATSINK MOUNTING CONFIGURATION (SCALE 1:4)



TOLERANCES / REFERENCES:



THIS DOCUMENT AND INFORMATION CONTAINED IN IT ARE CONFIDENTIAL, AND CANNOT BE COPIED OR DISCLOSED IN WHOLE OR IN PART WITHOUT THE EXPRESS WRITTEN CONSENT OF YASKAWA ELECTRIC AMERICA INC.

DRAWN: J. MATTAS

CHECKED: J. PIOTROWSKI

TECH: J. CAIRO

APPROVED: T. SASADA

ORIGINAL DESIGN: -

DATE: 1-26-09

DATE: 8-21-09

DATE: 8-24-09

DATE: 8-28-09

DATE: -

TITLE: V1000 DIMENSION DRAWING
FRAME SIZE 11
OPEN ENCLOSURE (IP20 RATING)
2A0020B & 4A0011B

| | | |
|---------|---------------|--------------|
| SIZE: A | REVISION: R00 | PAGE: 3 of 3 |
|---------|---------------|--------------|

DRAWING #: DD.V1K.FR11.IP20

UNITS: IN [mm] SCALE: BY VIEW